

B-6200 LUXOR BALCONY / B-6200-G LUXOR BALCONY

€ ▶ H.23

• Balastra a montaggio laterale regolabile.

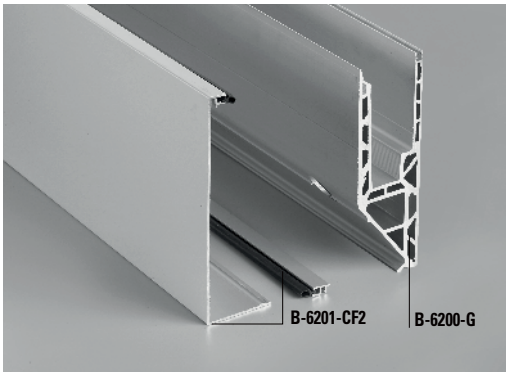
• Adjustable railing system, side installation.

• Verstellbares Ganzglasgeländer System Seitenmontage.





COMPONENTI / COMPONENTS / EINZELTEILE



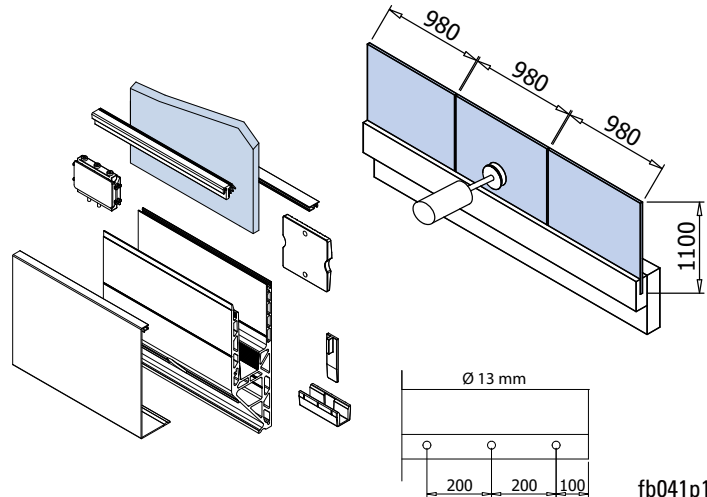
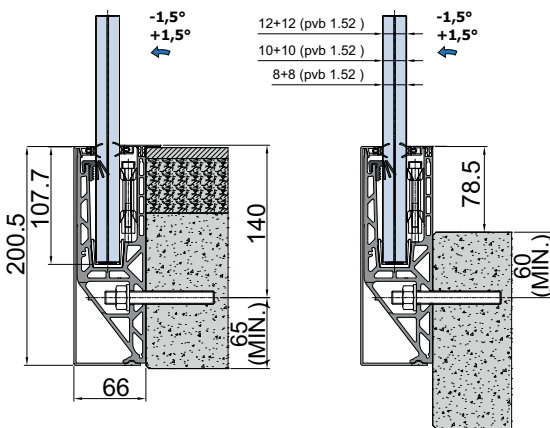
VEDI
SEE
SIEHE... >21

B-6200-G+B-6201-CF2

- Profilo balaustra + 2 Velette
- Railing profile + 2 Cover profiles
- Profil für Geländer mit 2 Abdeckungen

B-SET LUX 8 / B-SET LUX 10 / B-SET LUX-12

- Set morsetti e guarnizioni
- Set clamps and gaskets
- Set Klemmen und Dichtungen



fb041p137

ESTERNO
SCALA

Set completo/mt L = 3000 / 6000 mm Complete set/mt L = 3000 / 6000 mm Komplett-Set L = 3000 / 6000 mm	FIN. FIN. OB.	Vetro Glass Glas	Morsetti/mt Clamps/mt Klemmen/lfm	Testato spinta Test side force Getestete Seitenkraft	Classe Class IT Klasse	Testato Tested Bestätigte horizontale Nutzlast
B-6200 SET 1,5 KN 8	AN-IXE	8+8 1,52 pvb	2	150 kg	1	1 kN/m = 100 kg/m
B-6200 SET 3 KN 10	AN-IXE	10+10 1,52 pvb	2	300 kg	2	2 kN/m = 200 kg/m
B-6200 SET 4,5 KN 12	AN-IXE	12+12 1,52 pvb	4	450 kg	3	3 kN/m = 300 kg/m
B-6200-G SET 1,5 KN 8	GR	8+8 1,52 pvb	2	150 kg	1	1 kN/m = 100 kg/m
B-6200-G SET 3 KN 10	GR	10+10 1,52 pvb	2	300 kg	2	2 kN/m = 200 kg/m

SET COMPOSTO DA SET CONSISTING OF SET BESTEHEND AUS	FIN. FIN. OB.	B-6200 SET 1,5 KN 8	B-6200 SET 3 KN 10	B-6200 SET 4,5 KN 12	B-6200-G SET 1,5 KN 8	B-6200-G SET 3 KN 10
B-6200-G	GR	1 pz/pcs L = 3000 mm	1 pz/pcs L = 3000 mm	1 pz/pcs L = 3000 mm	1 pz/pcs L = 3000 mm	1 pz/pcs L = 3000 mm
B-SET-LUX-8	-	1	-	-	1	-
B-SET-LUX-10	-	-	1	-	-	1
B-SET-LUX-12	-	-	-	1	-	-
B-6201-CF2	AN - IXE	1	1	1	-	-