

# B-4050 MAXIMA

€ H.21

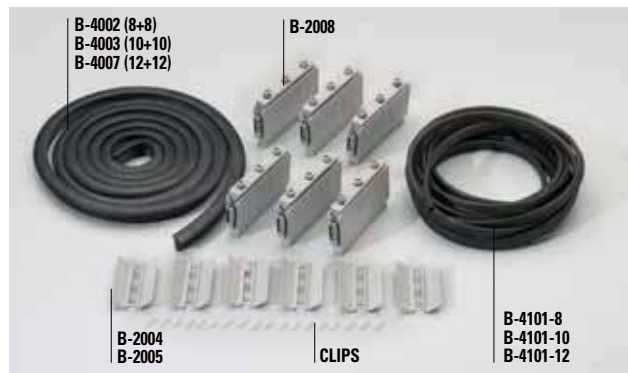


VIDEO

[www.youtube.com/watch?v=ZTc3saTuVao](http://www.youtube.com/watch?v=ZTc3saTuVao)

- Balastra incassata nel pavimento, regolabile. Optional supporti LED.
- Adjustable railing system, recessed in the floor. Optional LED supports.
- Verstellbares Railing System im Boden versenkt. Optional LED Auflage.

## COMPONENTI / COMPONENTS / EINZELTEILE

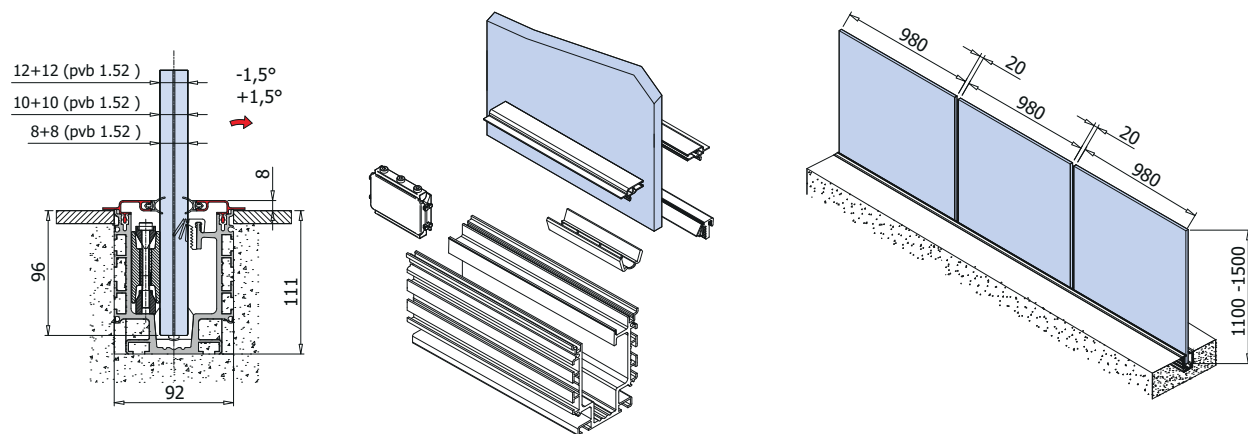


### B-4050 / B-2051-CF2

- Profilo balastra + 2 Vette
- Railing profile + 2 Cover profiles
- Profil für Geländer mit 2 Abdeckungen

### B-SET MAX 8 (x 8+8) / B-SET MAX 10 (x 10+10) / B-SET MAX 12

- Set morsetti e guarnizioni
- Set clamps and gaskets
- Set Klemmen und Dichtungen



FB-041-P062

| Set completo/mt L = 3000 mm<br>Complete set/mt L = 3000 mm<br>Komplett-Set L = 3000 mm | FIN.<br>FIN.<br>OB. | Vetro<br>Glass<br>Glas | Morsetti/mt<br>Clamps/mt<br>Klemmen/lfm | Testato spinta<br>Test side force<br>Getestete Seitenkraft | Classe<br>Class IT<br>Klasse | Testato<br>Tested<br>Bestätigte horizontale Nutzlast |
|--|---------------------|------------------------|---|--|------------------------------|--|
| <b>B-4050 SET 1,5 KN 8</b>   | AN                  | 8+8 1,52 pvb           | 2                                       | 150 kg   | 1                            | 1 kN/m = 100 kg/m                                    |
| <b>B-4050 SET 3 KN 10</b>  | AN                  | 10+10 1,52 pvb         | 2                                       | 300 kg   | 2                            | 2 kN/m = 200 kg/m                                    |
| <b>B-4050 SET 4,5 KN 12</b>  | AN                  | 12+12 1,52 pvb         | 4                                       | 450 kg   | 3                            | 3 kN/m = 300 kg/m                                    |

| SET COMPOSTO DA<br>SET CONSISTING OF<br>SET BESTEHEND AUS | FIN.<br>FIN.<br>OB. | B-4050<br>SET 1,5 KN 8 | B-4050<br>SET 3 KN 10 | B-4050<br>SET 4,5 KN 12 |
|---|---------------------|------------------------|-----------------------|-------------------------|
| B-4050 + B-2051-CF2                                       | AN                  | 1 pz/pcs L = 3000 mm   | 1 pz/pcs L = 3000 mm  | 1 pz/pcs L = 3000 mm    |
| B-SET-MAX 8   | -                   | 1                      | -                     | -                       |
| B-SET-MAX 10  | -                   | -                      | 1                     | -                       |
| B-SET-MAX 12  | -                   | -                      | -                     | 1                       |